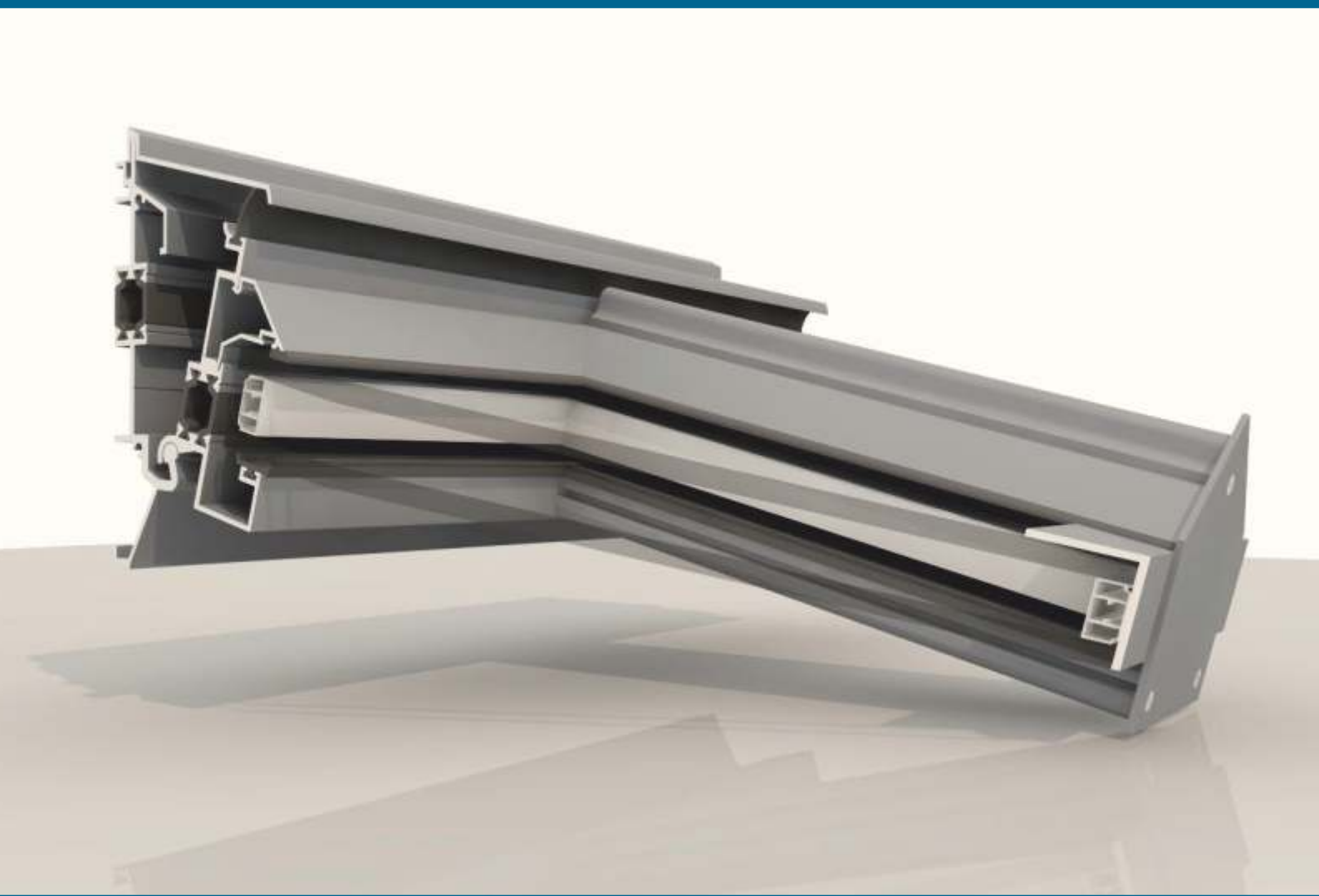
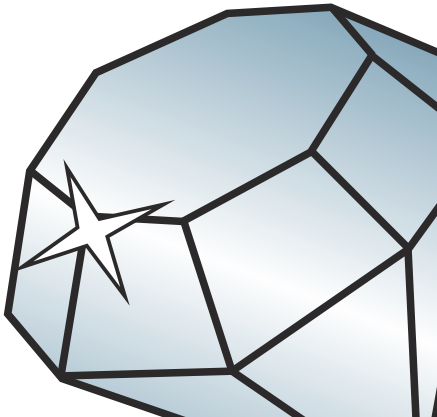


Lean-To Roofs

Section Identification Guide



DURATION
WINDOWS



Contents



Profiles

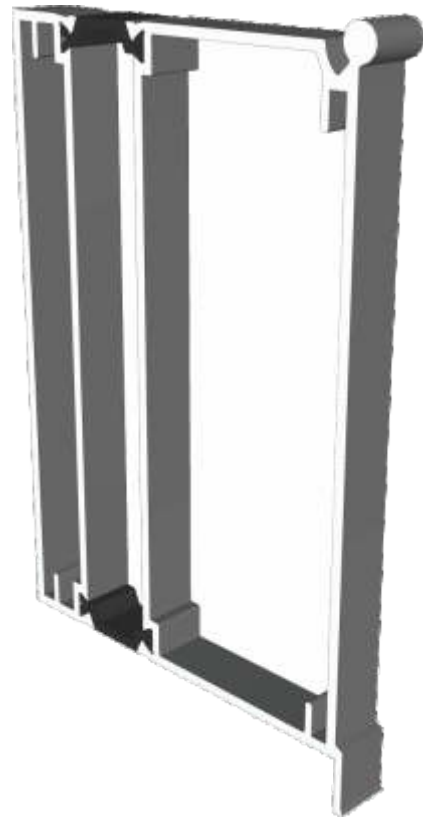
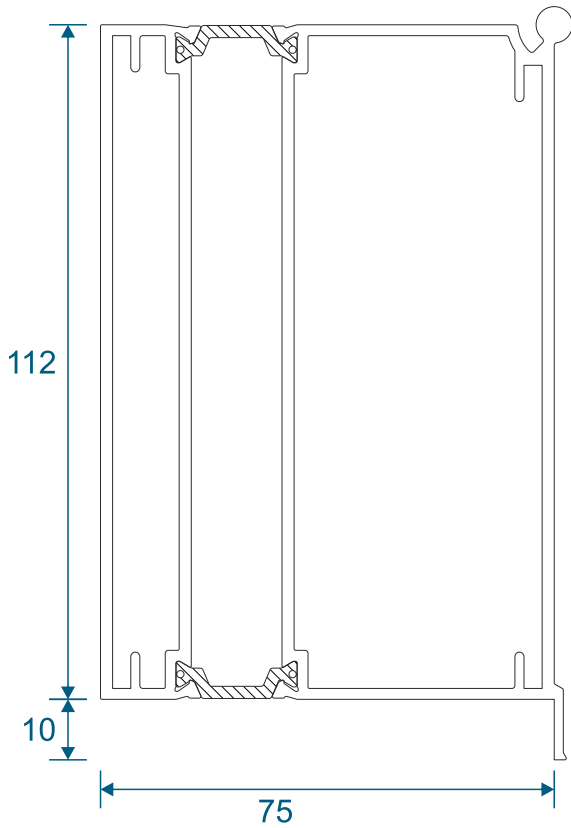
Ring Beam & Rafter Fixing Plates	3
Structural Ring Beam & Adapters	4
Glazing Rafters	5
Wall Plate & Adapter	6
Transom, Beads & Trims	7
Lead Carriers	8
Roof Vents	9
Gaskets & Infills	10

Section Drawings

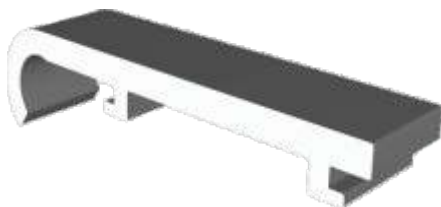
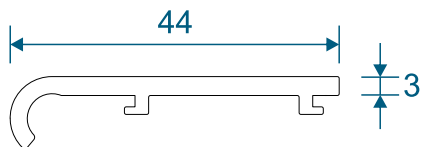
Wall Plate	11
Glazing Rafters	12
Ring Beam	13
Box Gutter	14
Roof Vents	15

Ring Beam & Rafter Fixing Plate

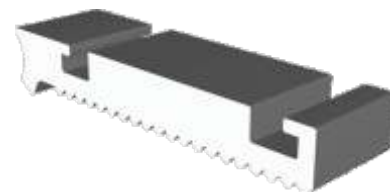
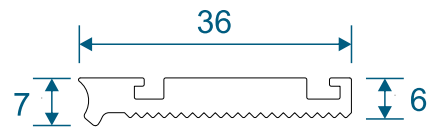
ABD240-241 - 75mm Ring Beam



ABD234 - Rafter to Ring Beam Fixing Plate

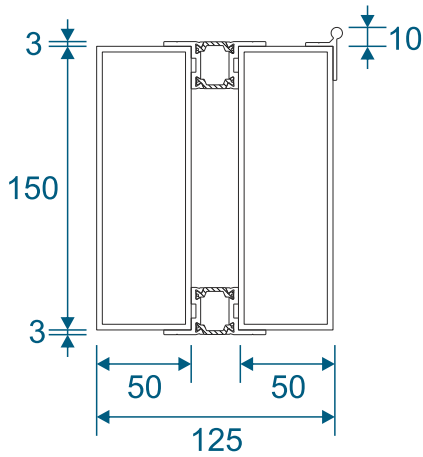


ABD242 - Rafter to Ring Beam Slide Plate

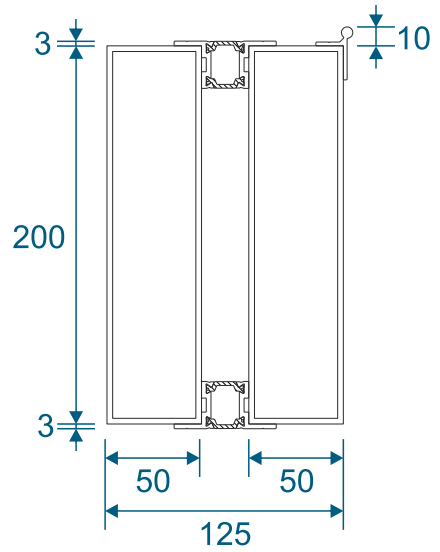


Structural Ring Beams

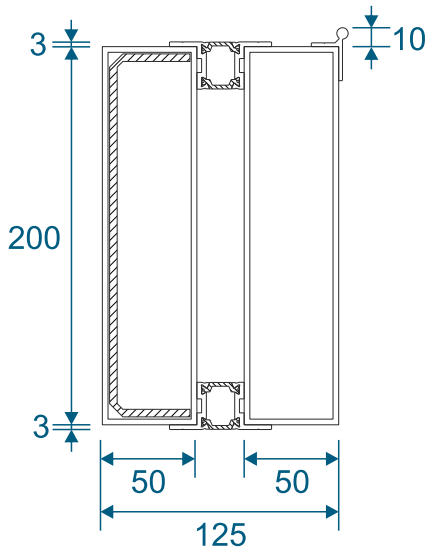
ABD219-219-A - Structural Ring Beam



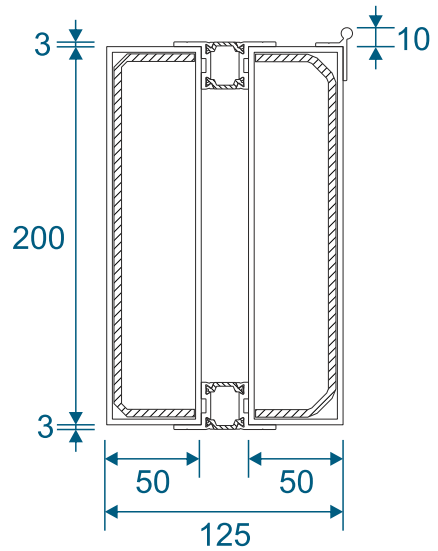
ABD219-219-B - Structural Ring Beam



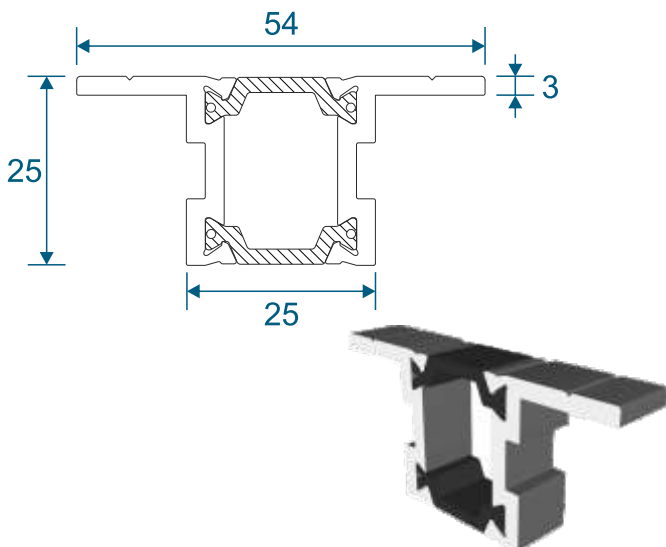
ABD219-219-C - Structural Ring Beam



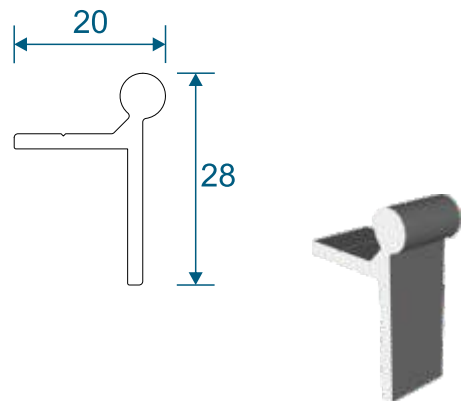
ABD219-219-D - Structural Ring Beam



ABD219-219 - Ring Beam Adapter

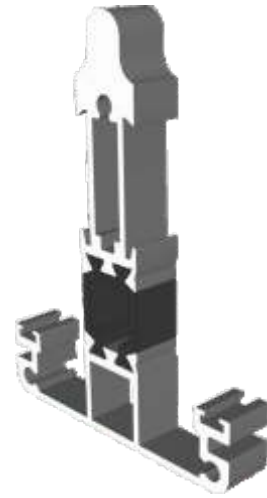
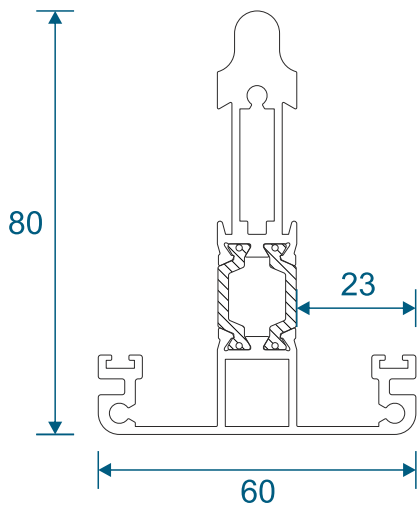


ABD209 - Ring Beam Support

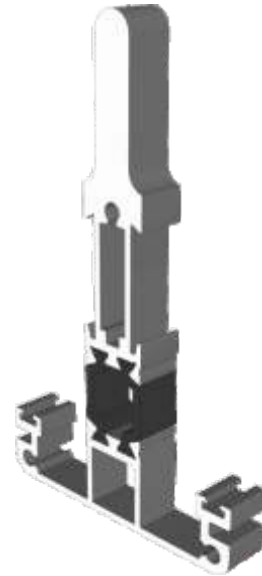
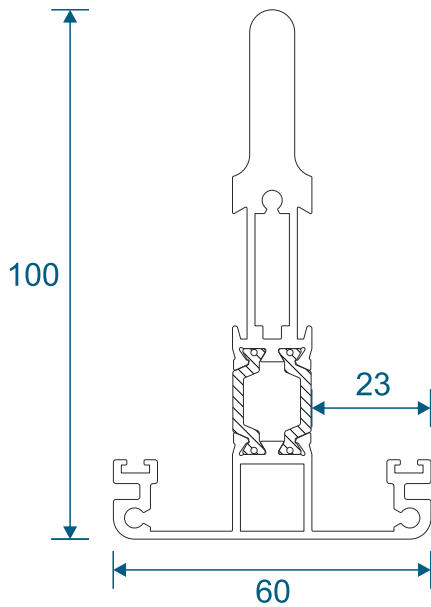


Glazing Rafter

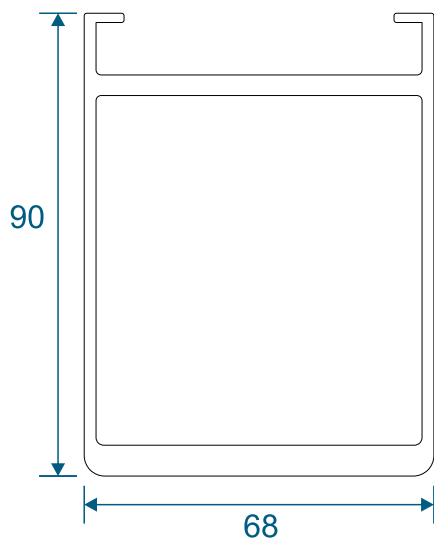
ABD200-201 - Light Duty Rafter (Glazing Bar)



ABD200-202 - Heavy Duty Rafter (Glazing Bar)

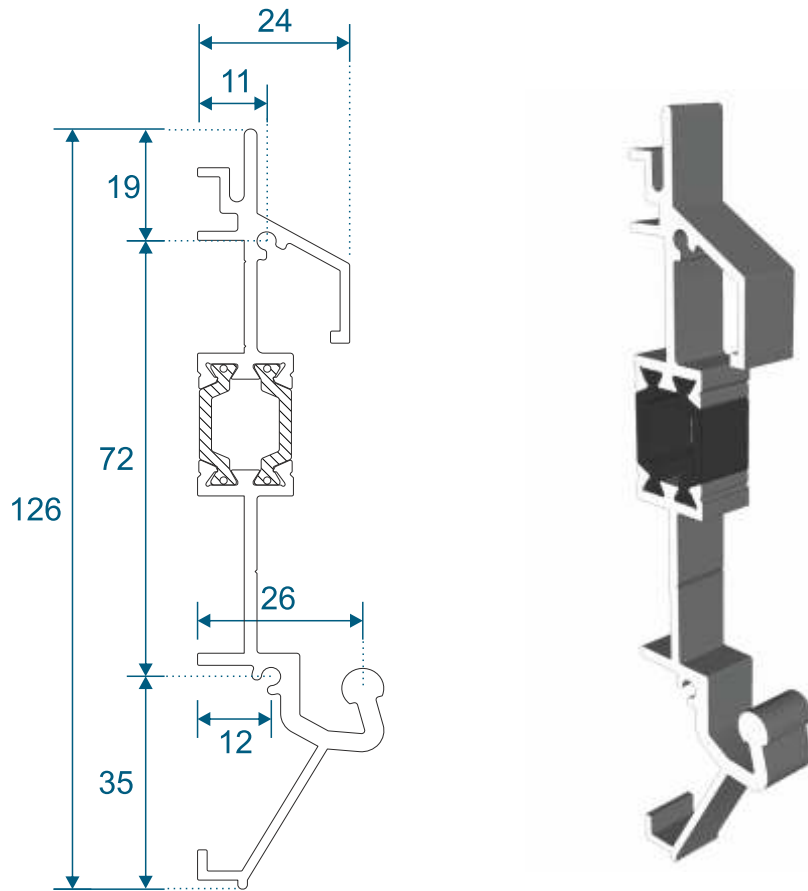


ABD206 - Rafter Extender (Bolster Bar)

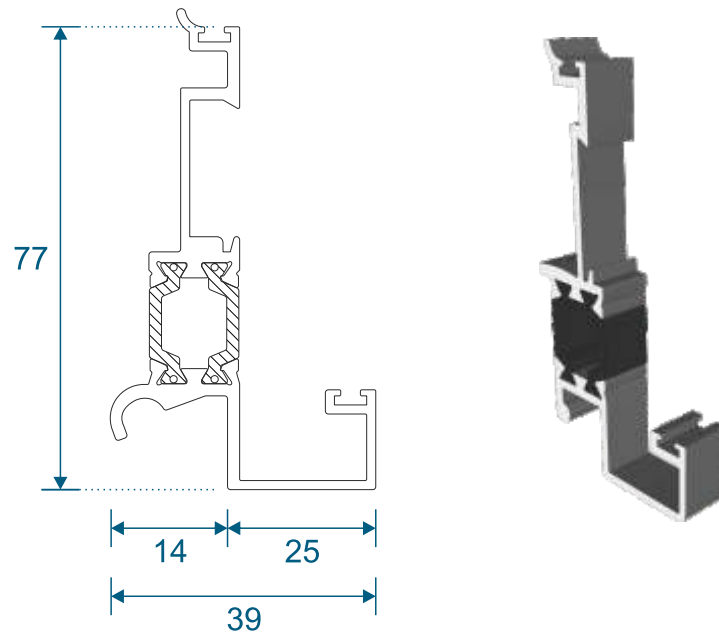


Wall Plate & Adapter

ABD226-227 - Wall Plate

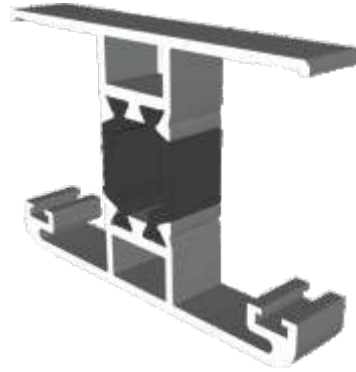
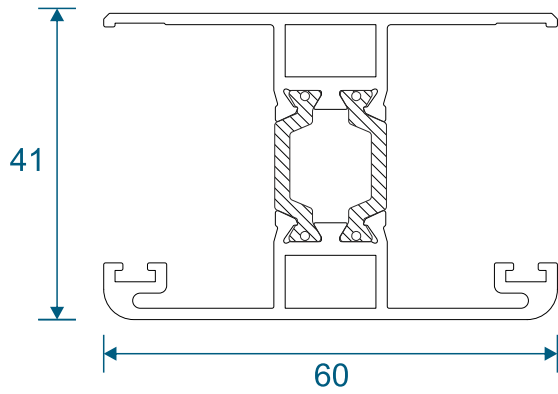


ABD224-225 - Wall Plate Adapter

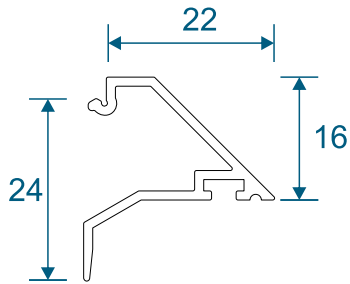


Transom Bead & Trims

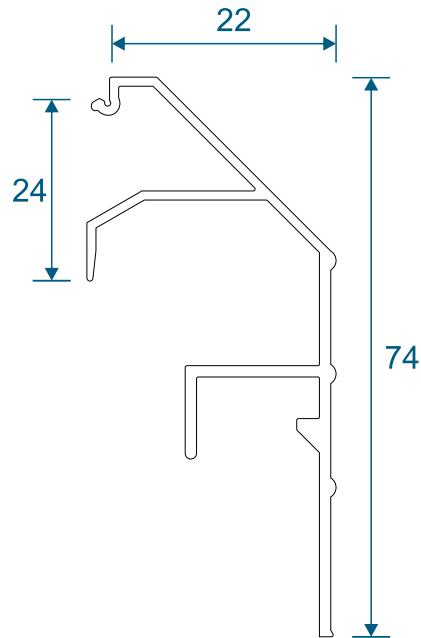
ABD203-204 - Transom



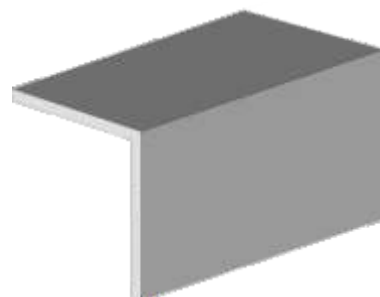
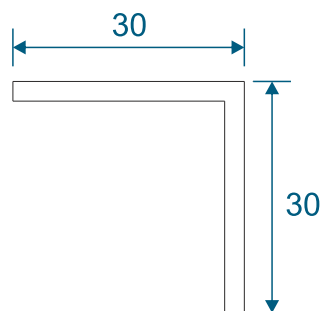
ABD210 - 28mm Bead



ABD212 - Rafter End Trim

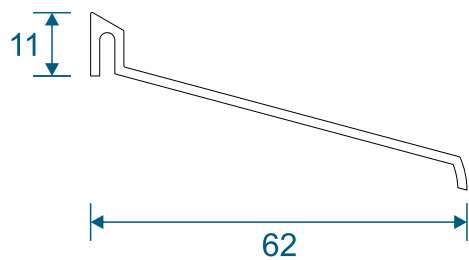


ABD140 - Glazed Unit End Trim

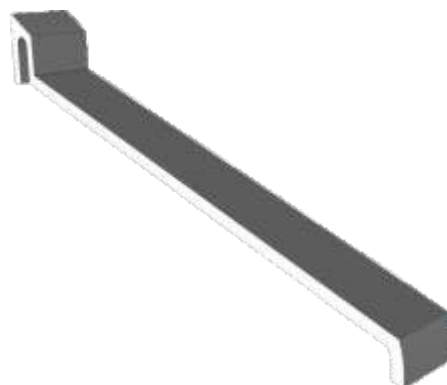
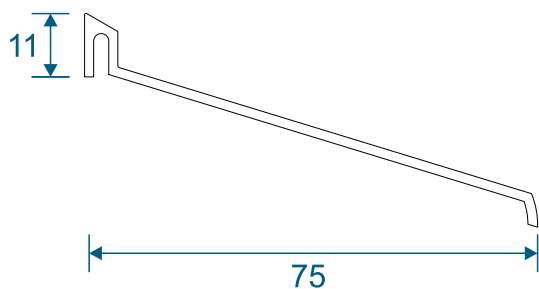


Lead Carriers

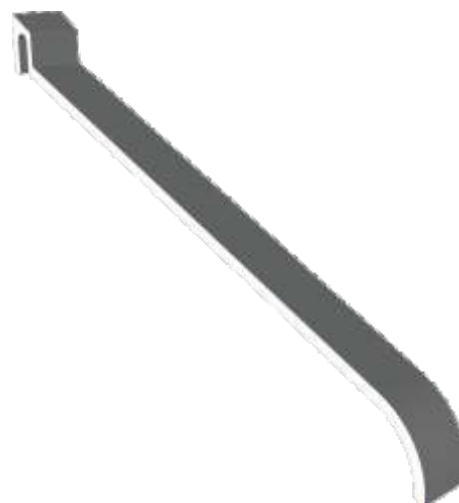
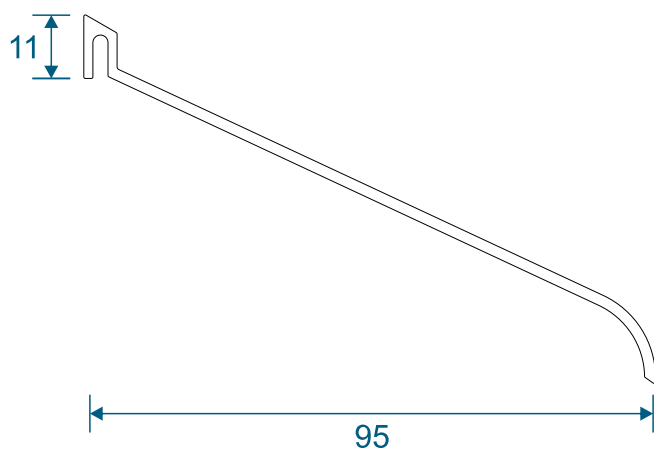
ABD251 - 5° / 10°



ABD252 - 15° / 20°

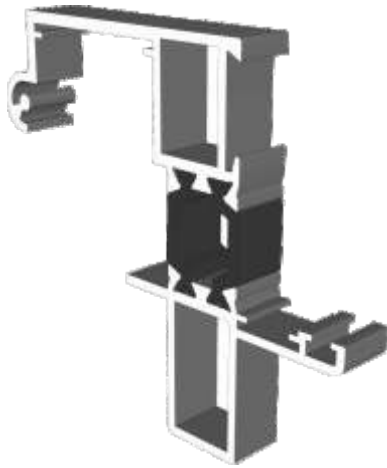
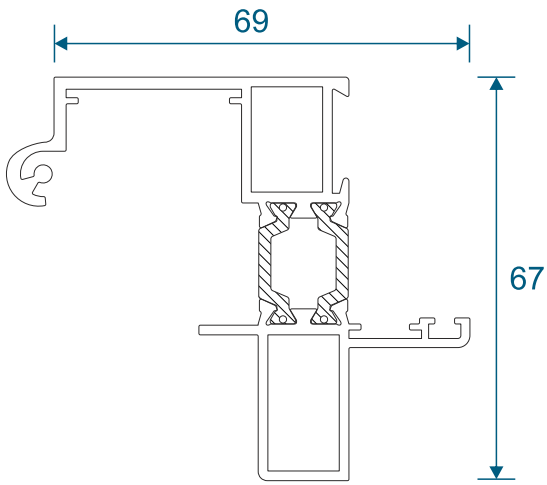


ABD237 - 25°, 30°, 40° & 45°

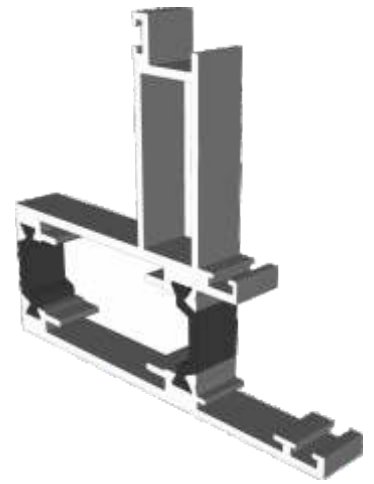
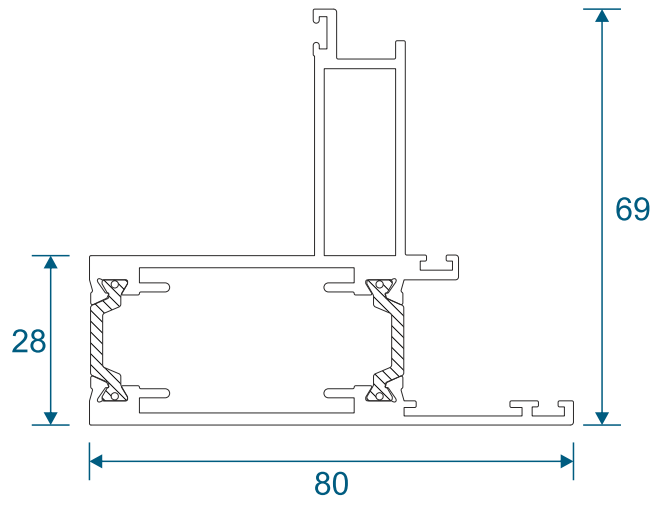


Roof Vents

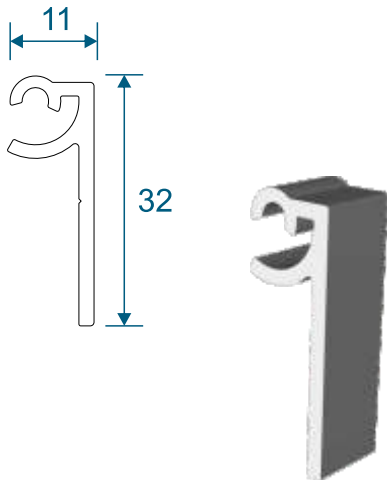
ABD232-233 - Roof Vent Sash



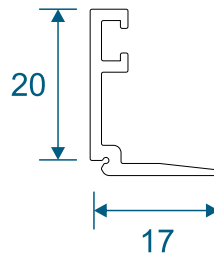
ABD230-231 - Roof Vent Frame



ABD245 - Roof Vent Hinge

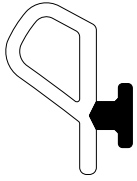


ABD246 - Roof Vent Glazing Bead



Gaskets & Infills

ABD366 - Bead Gasket



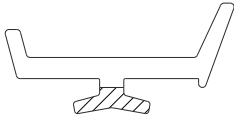
ABD302 - 28mm Wedge



ABD301 - 25mm Wedge



ABD303 - Retained Gasket

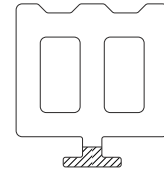


ABD305 - 28mm Wedge

For Transom



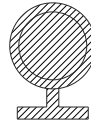
ABD308 - End Infill Gasket



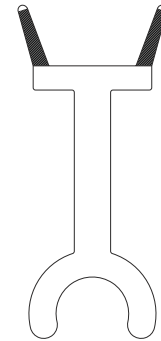
ABD309 - Vent Wool Pile



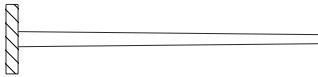
ABD310 - Vent Weather Seal



ABD248 - Ring Beam Infill



ABD306 - Weather Strip

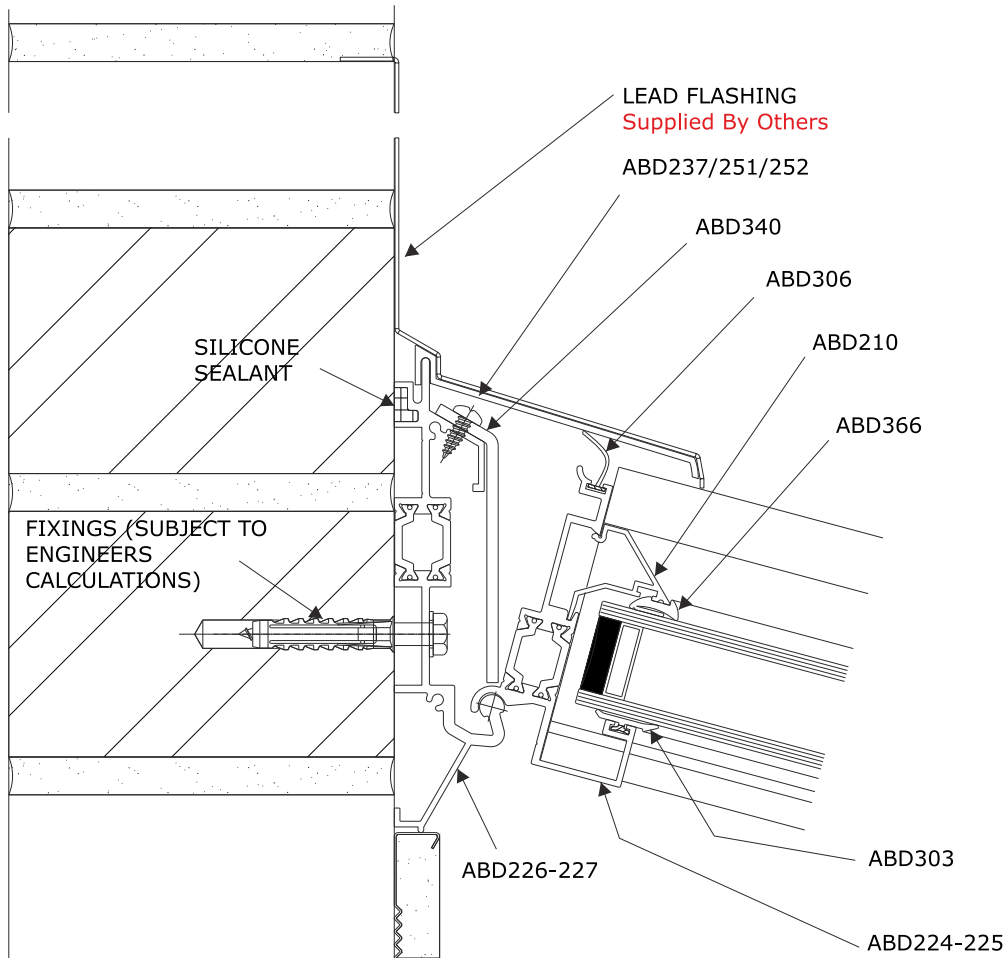


Other Parts

- Ring Beam Clamp Bracket ADB312
- Ring Beam Corner Brace ADB313 / ADB337
- Ring Beam End Cap ABD458
- Light Glazing Bar End Cap ABD316
- Heavy Duty Glazing Bar End Cap ABD317
- 5° & 10° Wall Plate End Cap ABD319
- 15° & 20° Wall Plate End Cap ABD320
- 25° & 30° Wall Plate End Cap ABD321
- 35°, 40° & 45° Wall Plate End Cap ABD322
- Retaining Bracket ABD340
- Tee Cleat ABD208
- Manual Opener & Telescopic Arm ABD420 & ABD421
- Electric Motor ABD447
- Rocker Switch MK4900
- Rain & Temperature Sensor C100T

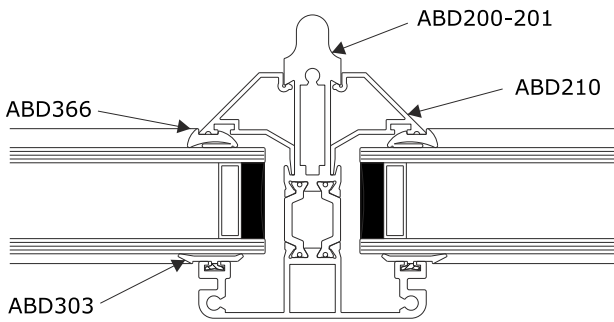
Wall Plate Section

Wall Plate Assembly

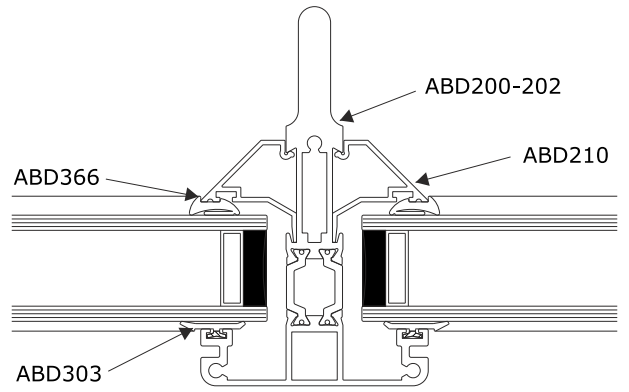


Glazing Rafter Sections

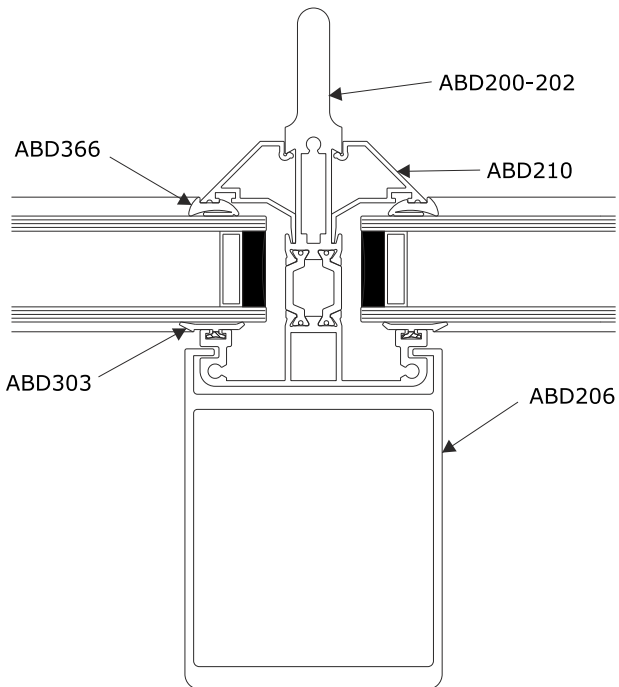
Light Duty Rafter



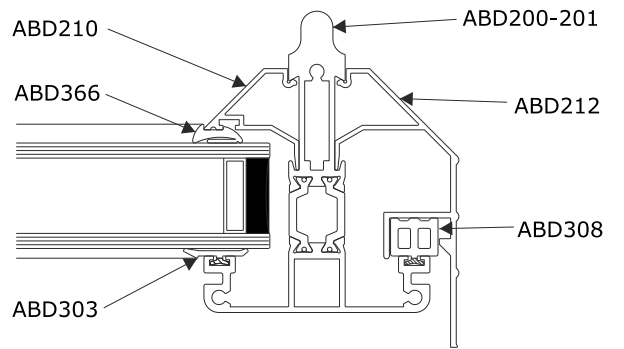
Heavy Duty Rafter



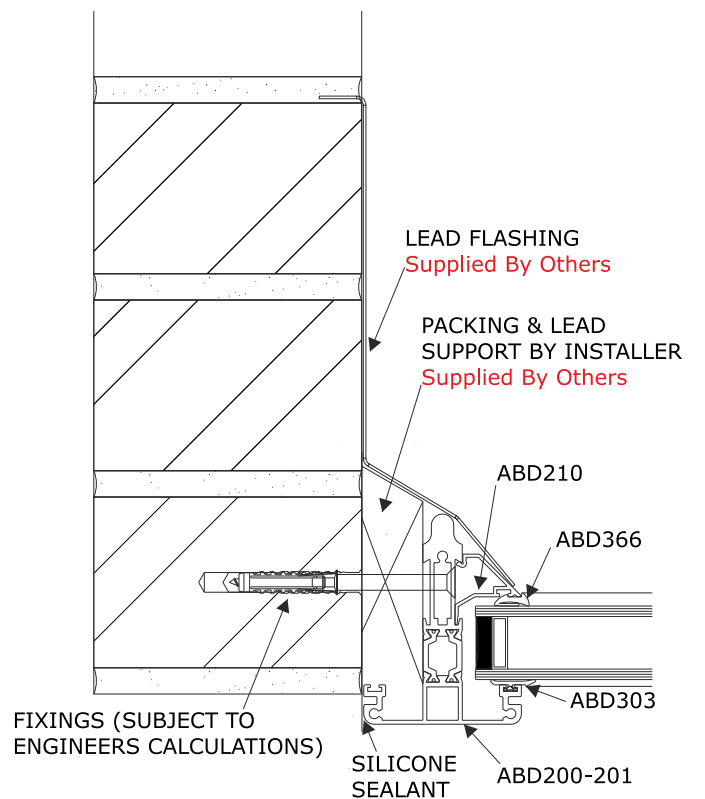
Heavy Duty Rafter With Bolster Bar



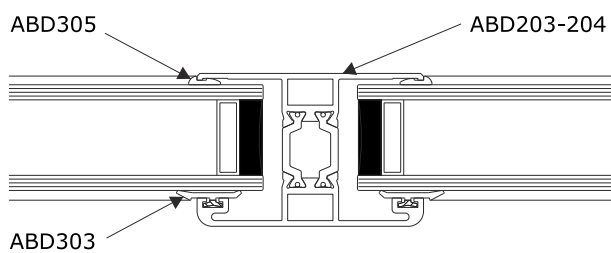
Rafter End Bar



Verge - Wall Rafter Assembly

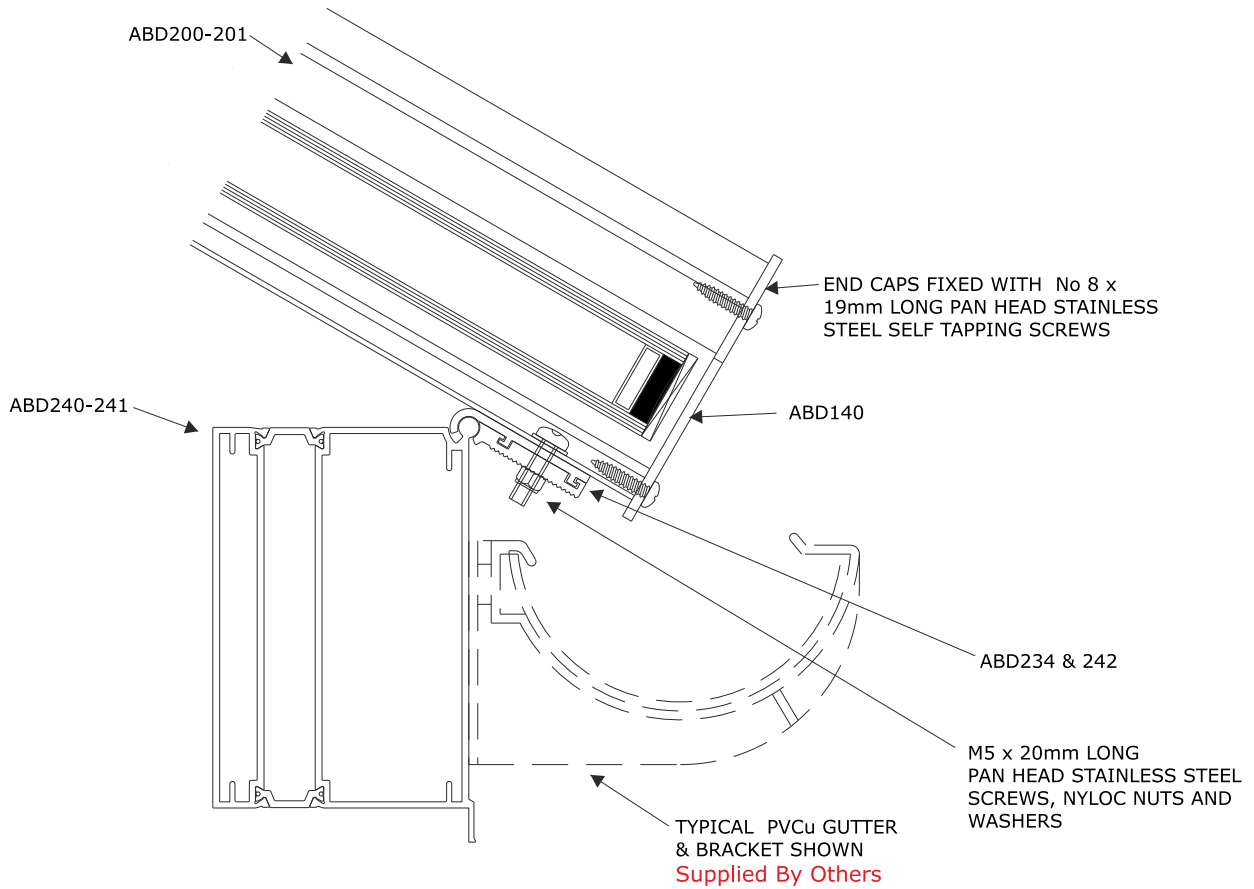


Transom

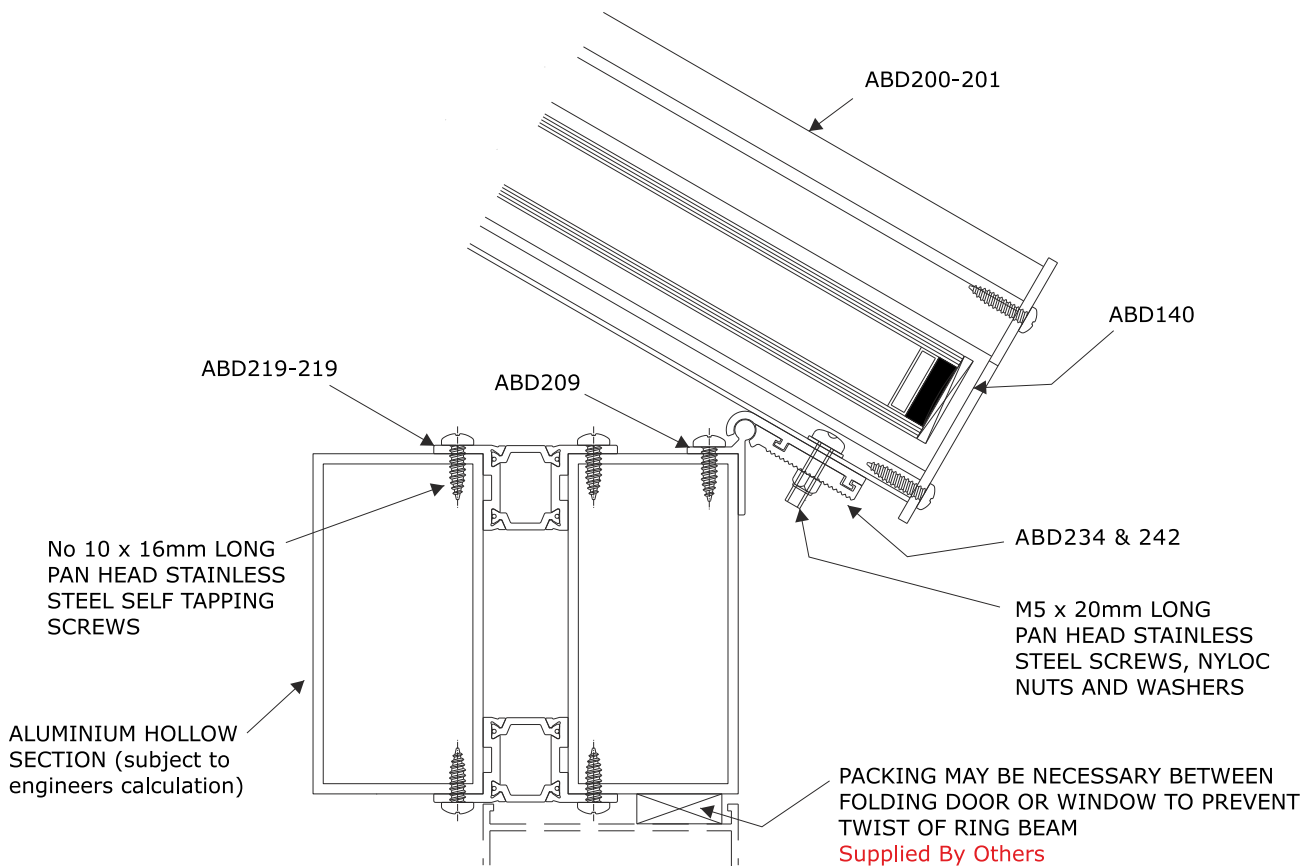


Ring Beam Section

Ring Beam with Rafter Assembly

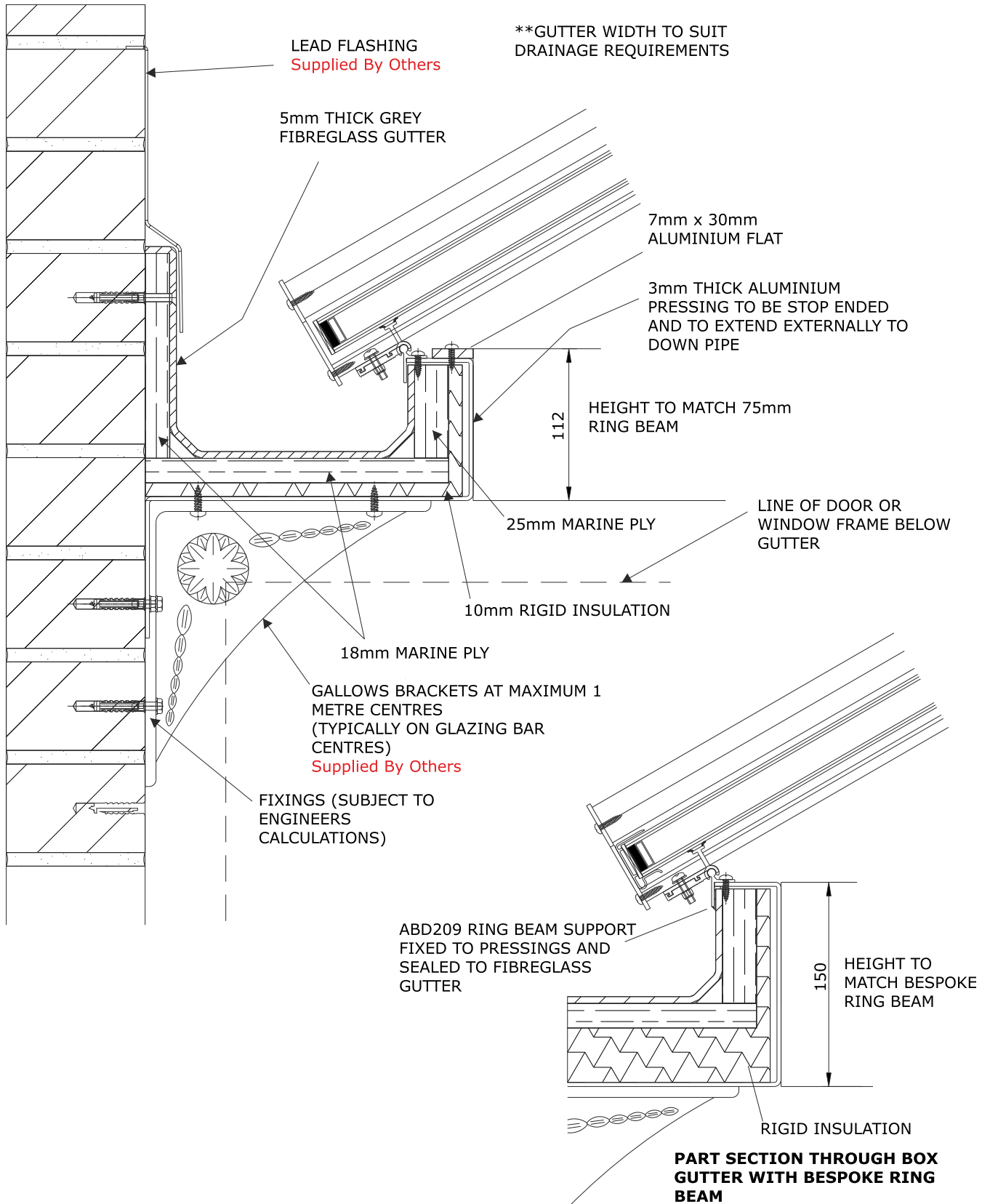


Structural Ring Beam With Rafter Assembly



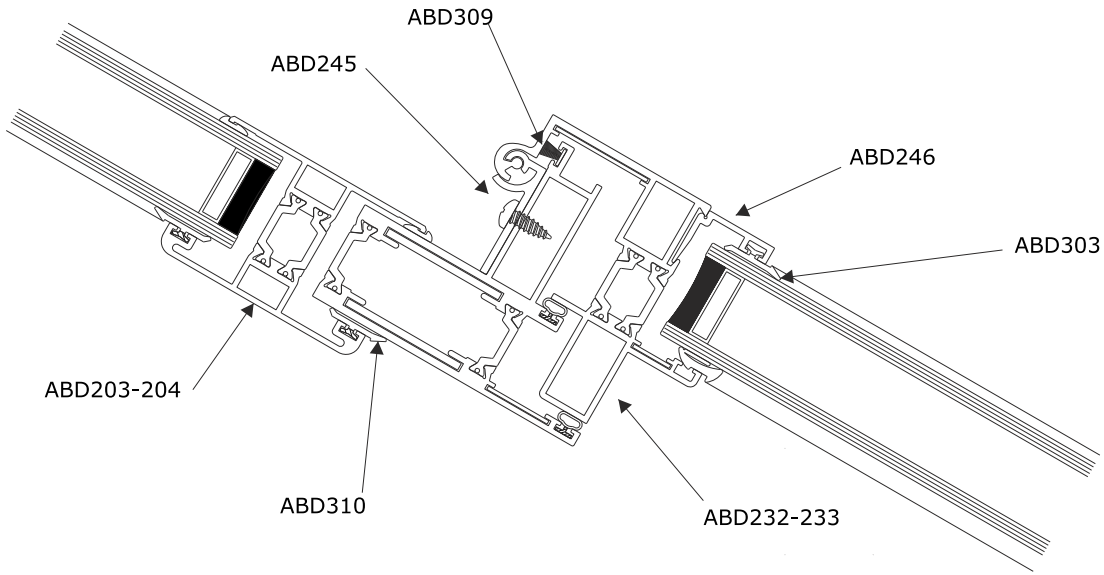
Box Gutter Section

Standard Box Gutter

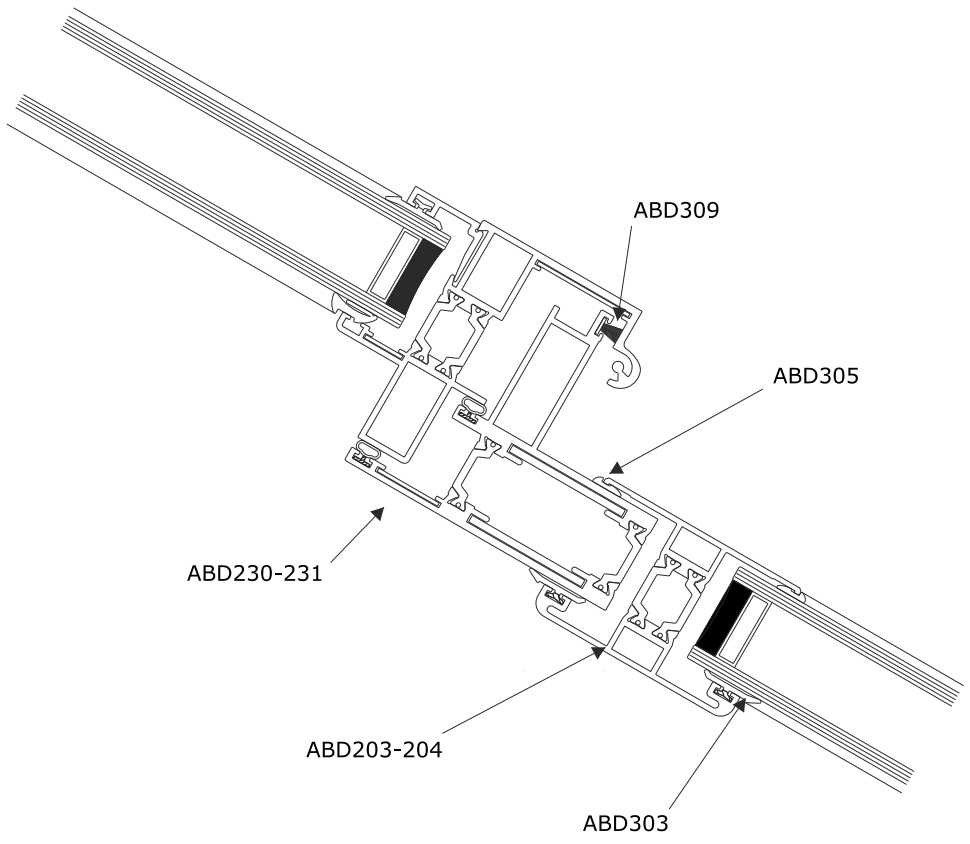


Roof Vent Sections

Top / Hinge End Of Opener



Bottom / Opening End Of Opener



Main Office & Factory

Units 4-5, t: 01268 681612 (20 lines)
Charfleets Road, f: 01268 510058
Canvey Island, e: sales@duration.co.uk
Essex. SS8 0PQ w: www.duration.co.uk

Grand Design Exhibition Centre

Unit 1 Casino Parade, t: 01268 695100
Eastern Esplanade,
Canvey Island, SatNav Directions
Essex. SS8 7FJ Use: SS8 7DN.